



***TW box***

## INSTRUCTION MANUAL MODE D'EMPLOI

**FOR YOUR OWN SAFETY, PLEASE READ THIS INSTRUCTION MANUAL  
CAREFULLY BEFORE YOU INITIALLY START-UP**

**POUR VOTRE SÉCURITÉ, MERCI DE LIRE ATTENTIVEMENT  
CE MODE D'EMPLOI AVANT D'UTILISER VOTRE PRODUIT**







**ENGLISH**

## **TW BOX - USER INSTRUCTION**

Page

**1. In the box**

4

**2. Instructions**

4

**3. Overview**

7

**4. Operation guide**

7

**5. Technical data**

11

**6. Dimensions**

11

**7. Accessories**

11

## 1. In the box

- 1 TW Box
- 1 POWERCON TRUE ONE cable
- 1 2 dB antenna
- 1 5 dB antenna (for reception mode)
- 1 Omega bracket
- 1 Instruction Manual

## 2. Instructions

### WARNING

- Read the instruction in this manual carefully and thoroughly, as they give important information regarding safety during use and maintenance. Keep this manual with the unit, in order to consult it in the future. If the unit is sold or given to another operator, make certain that it always has its manual, to enable the new owner to read about its operation and relative instructions.
- Protect the unit from excessive dryness or humidity (ideal conditions are between 35% and 80% of ambient humidity without condensing).
- To prevent fire or shock hazard, do not expose this product under a high temperature or humidity area.
- DO NOT make any inflammable liquids, water or metal objects enter the unit.
- Should any liquid be spilled on the unit, DISCONNECT the power supply to the unit immediately.
- This product must be earthed.
- Take care not to damage the power cord.
- After having removed the packaging check that the unit is NOT damaged in any way.
- If in doubt, DON'T use it and contact an authorized dealer.
- NEVER use the unit under the following conditions:
  - - In places subject to excessive humidity.
  - - In places subject to vibrations or bumps.
  - - In places with a temperature of over 40 °C or less than 0 °C.
- DO NOT open the unit--there are no user serviceable parts inside.
- NEVER try to repair the unit yourself. Repairs by unqualified people could cause damage or faulty operation. Contact your nearest dealer.
- Wait for at least one second to turn on the power after turning off this unit.
- This unit is intended for indoor use only.
- Packaging material (plastic bags, polystyrene foam, nails, etc.) MUST NOT be left within children's reach, as it can be dangerous.

- STOP using the unit immediately In the event of serious operation problems and either contact your local dealer for a check or contact us directly. DO NOT dismantle or modify the unit.
- If in doubt, DON'T use it and contact an authorized dealer.
- This unit must only be operated by adults. DO NOT allow children to tamper or play with it.

**Radio Compliance Information:**

FCC IDENTIFIER: NY2-WDMXTRX

Name of Grantee: Wireless Solution Sweden Sales AB

Equipment Class: Part 15 Spread Spectrum Transmitter

FCC Rule Parts: 12C2402.0

**General Notes:**

The antenna(s) used for this transmitter must be installed to provide a separation distance of at least 20 cm from all persons and must not be co-located cooperating in conjunction with any other antenna or transmitter. Users and installers must comply with operating manual.

This equipment generates, uses, and can radiate radio-frequency energy and, if not installed and used in accordance with the instruction manual, may cause harmful interference to radio communications.

Operation of this equipment in a residential area is likely to cause harmful interference, in which case users will be required to correct the interference at their own expense.

**Modification Warning!** Changes or modifications to this equipment is totally prohibited and will void the user's authority to operate the equipment or void the FCC approval and negate your authority to operate the product.

**Safety Notices:**

Please read this entire manual before using your new equipment.

Please keep the manual in a safe place so you can refer to it in the future as required.

TWBOX is intended for use only by qualified lighting professionals. Connection, installation, and hanging of this equipment must be performed in accordance with all pertinent local, regional, and national safety codes and regulations.

This equipment shall not be used to operate moving-scenery or moving-truss structures, DMXtriggered motors/hoists or lifting devices including, but not limited to, stage lifts operated by DMX, hydraulic systems or any moving component that may cause harm to human-beings in case of failure.

It should not be used to trigger flames or pyro equipment, explosive powered tools or compressed air equipment. It shall also not be used with water pumps or any water related equipment triggered wirelessly and subject to failure where it may cause harm to human-beings.

Please do not use with any theatrical flying and rigging operations, or any device that may fail due to break of RF signal. TWBOX shall not be used with firearms or weapons triggered by wireless equipment.

Please keep the equipment dry. Do not operate in excessive heat or direct sunlight, and provide adequate ventilation.

Do not place anything on top of the Products. Weight on top could damage the chassis. There are no user-serviceable parts inside. All serviceable work shall be done by qualified service personnel, generally appointment by the Manufacturer.

The Product is furthermore not intended for use within a non-entertainment, architectural or motionpicture lighting related business, such as:

- Within hospitals, health centers or any health care institution providing patient treatment with specialized staff and equipment.
- Hazardous Areas of classes I, II and III
- Exclusion Zones
- United States National Radio Quiet Zone
- Within an airplane or a vehicle

No warranty or liability claim is possible in case the Product has been used outside of its reasonably intended usage area, as exemplified above.

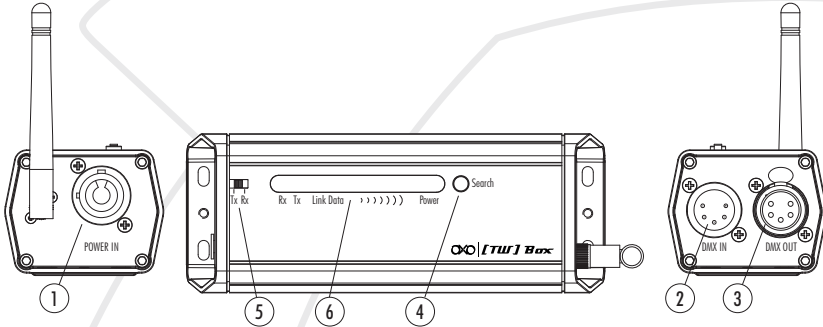
The Product must be operated with the factory default settings. No deviation or variance of the Product is allowed.

Any peripheral equipment connected to the Product must be previously approved.

The Product must, subsequent to a software upgrade, be thoroughly tested before any use. No warranty or liability claim is possible in case the Product has been thoroughly tested before use.

OXO cannot take responsibility for any interference that may be caused by a third party device and cause malfunction of the wireless transmission

### 3. Overview



**1. Power supply IN (POWERCON TRUE ONE)**

**2. DMX IN (XLR 5)**

**3. DMX OUT (XLR 5)**

**4. Search Button**

**5. TX/RX selection button**

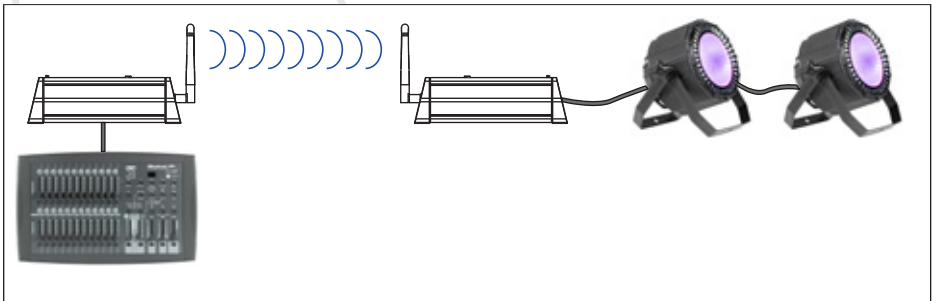
**6. LED Display**

### 4. Operation guide

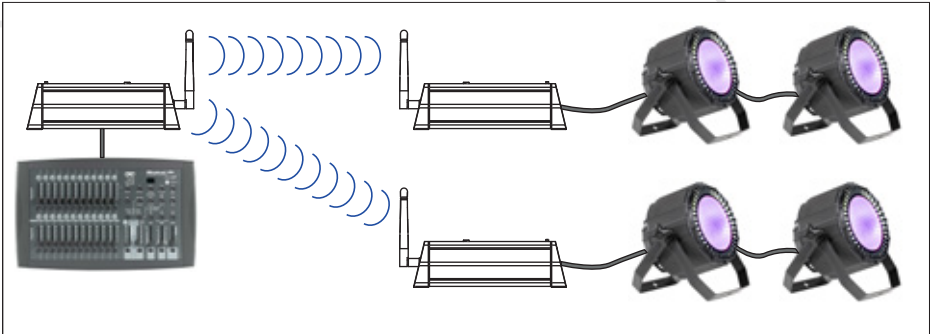
#### A- Feature

The TW BOX is a wireless tools that allows you to create point to point links, point-to-multi-point and multipoint-to-multipoint DMX/RDM data in wireless using W-DMX technologie G5.

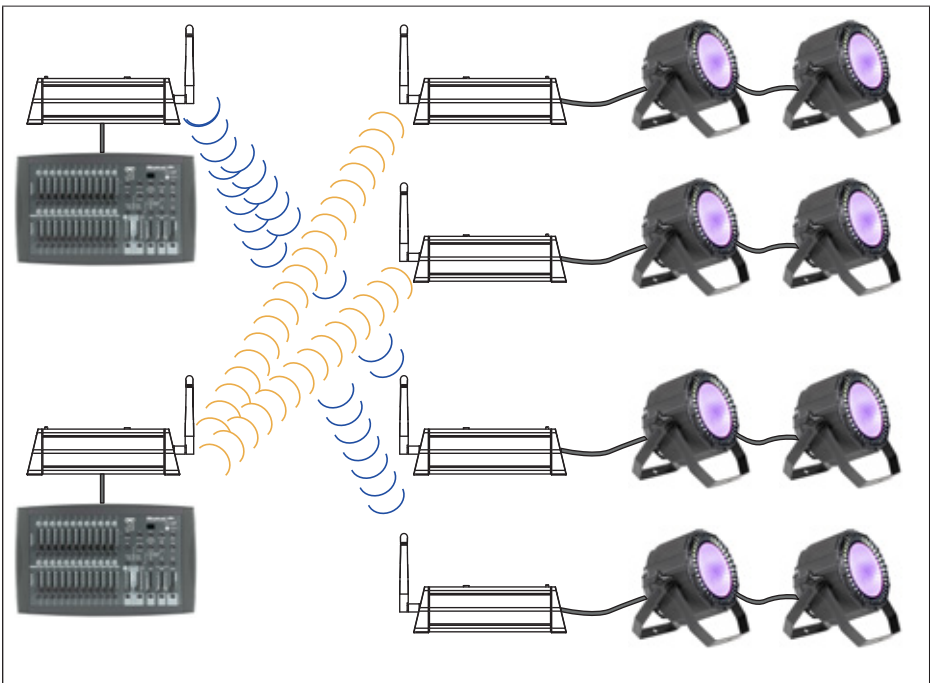
#### Point to point operation



### Point to multipoint operation



### Multipoint to multipoint operation



Rather than using fixed frequency channels, W-DMX™ technology uses Adaptive Frequency Hopping technology to continually check the radio channels for interferences and to rapidly move operation to clear radio channels. The checks are carried out in combination with another advanced technology: time division multiple access. This technology makes the most efficient use of every visited frequency channel.



In order to guarantee a more reliable transmission, some W-DMX™ devices can operate on three different frequency bands, allowing the user to move their transmission into an interference-free spectrum. This is limited to some product ranges and countries.

### B-Selection Mode

Each TW Box could act as a receiver or a transmitter, to configure your TW box in one or the other mode please use the Tx/Rx.

TX = Transmitter Mode

RX = Receiver Mode

### C- Pairing / Unpairing

#### 1 - Unpairing / Reset link

To reset a link, push Search button of receiver during 5s

#### 2 - Create a point to point link

For this you need to pair 1 emitter and 1 receiver.

Important to avoid any mistake unplugged every receiver and transmitter you're not pairing. First reset your Receiver (see the process above), to be sure that your receiver is not already linked with an emitter.

Then push search button of the Transmitter, the link LED will blink quickly during search and will blink slowly when connected.

#### 3 - Create a point to multi point link

For this you need to pair 1 emitter and more than 1 receiver.

You need to pair every receiver one by one and repeat the following step for each receiver. Important to avoid any mistake unplugged every receiver and transmitter you're not pairing. First reset your Receiver (see the process above), to be sure that your receiver is not already linked with an emitter.

Then push search button of the Transmitter, the link LED will blink quickly during search and will blink slowly when connected to receiver.

#### 4 - Create a multi point to multi point link

For this you need to pair several emitter and several receiver.

Important to avoid any mistake unplugged every receiver and transmitter you're not pairing. You need to pair every receiver and transmitter one by one and repeat the following step for each link you need to create.

First reset your Receiver (see the process above), to be sure that your receiver is not already linked with an emitter.

Then push search button of the Transmitter, the link LED will blink quickly during search and will blink slowly when connected to receiver

## 5 - Blink state of Link LED

### LED indication of link as a transmitter



On 900ms / Off 100ms = no DMX present

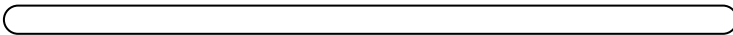


Always On = DMX present



On 100ms / Off 100ms = searching for receivers

### LED indication of link as a receiver



Always Off = not assigned to a transmitter



On 900ms / Off 100ms = connected to a transmitter, but no DMX present



Always On = assigned to a transmitter and DMX present

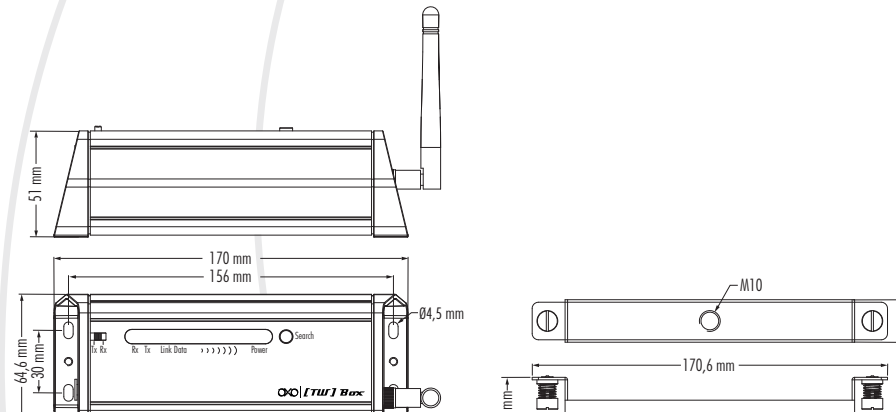


On 100ms / Off 100ms = link to a transmitter lost or linking to transmitter

## 5. Technical data

<b>Voltage</b>	AC100-240V, 50/60Hz (Auto-ranging)
<b>Power Consumption</b>	10W max
<b>Control</b>	DMX/RDM
<b>IP Grade</b>	IP20
<b>Working Temperature</b>	0-40°C
<b>Product dimension</b>	170 x 64,6 x 51 mm (without Antenna)
<b>Product weight</b>	0,5 kg

## 7. Dimensions



## 8. Accessories

