



## TECHNICAL SPECIFICATION

**Power supply** : 100-240V AC, 47-63Hz

**Current** : 120V/60Hz 1.21A, 230V/50Hz 0.57A

**Power Consumption** : 90W Max

**LED amount** : 14X 5WX 4IN1

**DMX Channel** : 1, 2, 4 OR 8 Channel, DMX Mode 1/2/3/4

**Weight** : 4.0 Kg

**Dimension** : 252(L) X 201(W) X 270(H) mm



## USER INSTRUCTION COLOR BEAM 14 FCW IR

Thank you for purchasing this product.

Thank you for purchasing this product.  
For your own safety, please read this user manual  
carefully before you initially start-up



## SAFETY INSTRUCTIONS

**Every person involved with the installation, operation and maintenance of this device has to :**

- be qualified
- follow the instructions of this manual
- **CAUTION !** Be careful with your operations. With a dangerous voltage you can suffer a dangerous electric shock when touching the wires !
- This device has left our premises in absolutely perfect condition. In order to maintain this condition and to ensure a safe operation, it is absolutely necessary for the user to follow the safety instructions and warning notes written in this user manual.
- **Important :** Damages caused by the disregard of this user manual are not subject to warranty. The dealer will not accept liability for any resulting defects or problems.
- Keep away from heaters and other heating sources !
- If the device has been exposed to drastic temperature fluctuation (e.g. after transportation), do not switch it on immediately. The arising condensation water might damage your device. Leave the device switched off until it has reached room temperature.
- Make sure that the power-cord is never crimped or damaged by sharp edges. Check the device and the power-cord from time to time.
- If the external flexible cable or cord of this luminaire is damaged, it shall be exclusively replaced by the manufacturer or his service agent or a similar qualified person in order to avoid a hazard.

## 4. MACRO VALUE (0 : BLACK, 1-35 : 35 MACRO)

MACRO	R	G	B	W
00	0	0	0	0
01	0	0	128	0
02	0	0	192	0
03	0	0	255	0
04	0	128	0	0
05	0	128	128	0
06	0	128	192	0
07	0	128	255	0
08	0	255	0	0
09	0	255	128	0
10	0	255	255	0
11	0	255	255	0
12	128	0	0	0
13	128	0	128	0
14	128	0	192	0
15	128	0	255	0
16	128	128	0	0
17	128	128	128	0
18	128	128	192	0
19	128	128	255	0
20	128	255	0	0
21	128	255	128	0
22	128	255	192	0
23	128	255	255	0
24	255	0	0	0
25	255	0	128	0
26	255	0	192	0
27	255	0	255	0
28	255	128	0	0
29	255	128	128	0
30	255	128	192	0
31	255	128	0	0
32	255	255	0	0
33	255	255	128	0
34	255	255	192	0
35	255	255	255	255

### 3. DMX FUNCTION

1 **DMX mode 1** (1 CHS, Display : 1XXX; XXX= DMX address, press up/down change DMX address)

FIGURE 1	CH1(0-255)	FUNCTION
DMX mode 1	Macro	35 color setting + black

2 **DMX mode 2** (2 CHS, Display : 2XXX; XXX= DMX address, press up/down change DMX address)

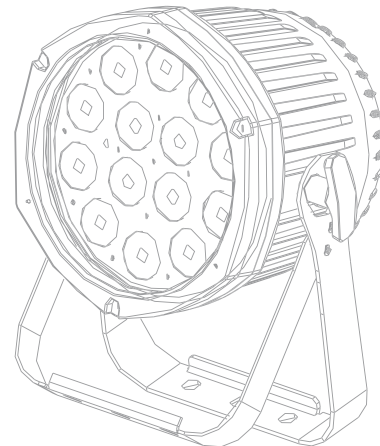
FIGURE 2	CH1 (0-255)	CH2 (0-255)	FUNCTION
DMX mode 2	Macro	luminance	35 color setting + luminance

3 **DMX mode 3** (4 CHS, Display : 3XXX; XXX= DMX address, press up/down change DMX address)

CH1 (0-255)	CH2 (0-255)	CH3 (0-255)	CH4 (0-255)	FUNCTION
R	G	B	W	R/G/B/W luminance setting

4 **DMX mode 4** 8 CHS, Display: 4XXX; XXX= DMX address, press up/down change DMX address)

CH8	CH1	CH2	CH3	CH4	CH5	CH6	CH7	CH8	Function
Mode	R	G	B	W	Macro	Speed /Strobe	Mode	MASTER DIM	Function
(0-35) Adjust colors	0	0	0	0	0-13(off)	0-15 : static 16-255 : 16 different stobe	(0-35) Adjust colors	Dimmer 0 - 255 : min - max	No out
	1-255	1-255	1-255	1-255					RGB/ Strobe
	NA				14-255 (macro)	35 color macro mode			
(36-71)	0-77 : OFF 8-255 JOIN IN				NA	0 - 255 : 16 different speed	(36-71)	Dimmer 0 - 255 : min - max	Light mode
(72-107)							(72-107)		Dim mode
(108-143)							(108-143)		Light & Dim mode
(144-179)							(144-179)		Auto mix color mode
(180-215)	NA						(180-215)		3 color strobe
(216-251)					(216-251)	7 color strobe			
7 colors audio control (252-255)	NA				NA	NA	7 colors audio control (252-255)	Dimmer 0 - 255 : min - max	Light mode 7 colors audio control (252-255)



- Shields, lenses or ultraviolet screens shall be changed if they have become visibly damaged to such an extent that their effectiveness is impaired, for example by cracks or deep scratches.
- Never let the power-cord come into contact with other cables ! Handle the power-cord and all connections with the mains with particular caution !
- Make sure that the available voltage is not higher than stated in this manual.
- Always disconnect from the mains, when the device is not in use or before cleaning it. Only handle the power-cord by the plug. Never pull out the plug by tugging the power-cord.
- During the initial start-up some smoke or smell may arise. This is a normal process and does not necessarily mean that the device is defective.
- **DANGER OF BURNING !** Never touch the device during the operation ! The housing heats up to the housing temperature TSURFACE.
- Don't switch the device on and off in short intervals as this would reduce the lamp's life.
- **HEALTH HAZARD !** Never look directly into the light source, as sensitive persons may suffer an epileptic shock (especially meant for epileptics) !
- Always disconnect from the mains, when the device is not in user or before cleaning it.
- Please note that damages caused by manual modifications on the device or unauthorized operation by unqualified persons are not subject to warranty.
- Keep away children and amateurs from the device !
- There are no serviceable parts inside the device. Maintenance and service operations are only to be carried out by authorized dealers.

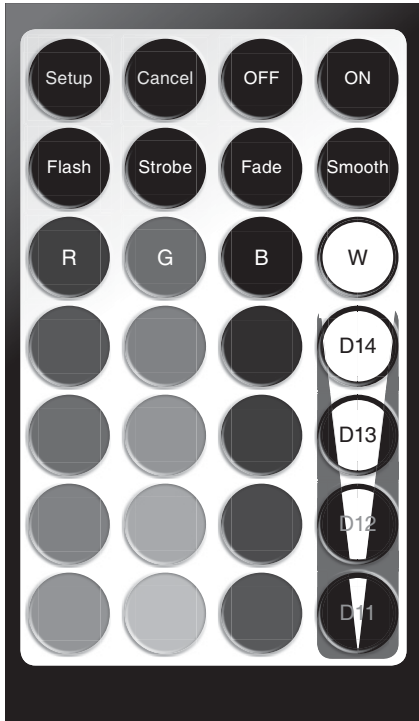
### OPERATING INSTRUCTIONS

- 1) This system has DMX Online mode and Stand-alone Mode. Online mode can link other units and be controlled by the DMX controller. And Stand-alone Mode has the functions of Sound, Auto Mixcolor and Strobe.
- 2) Master / Slave Setting : When Master Set on Mode 5 - Model 12 or IR Mode, The Slave set on Mode 1/2/3/4. When the Slave link on DMX Signal from Master, The Slave will auto change to Mode 3, If link off, The Slave will back to the last mode.
- 3) If a DMX signal is present under Online mode, the DMX LED will blink very fast to indicate. While under Master / Slave mode, Master's LED indicator will light and Slave's one will blink to indicate.
- 4) Display screen will turn off after 10 s. In this condition,pressing any keys is useless ; turning back when pressing any keys with 3 s. In OFF mode, IR's function is not restrict, it runs usual, but screen is off.
- 5) In IR mode,pressing any keys,the fixture would turn back to the last mode.
- 6) The Ramp Mode (dr1-dr5) allow you to set output light with delay or not when the DMX values change. dr2-dr5 set the output light with delay from min to max, this configuration is to work with slow smooth fade. dr1 set the output light without delay to work with rapid effect like flash.

### 1. IR INSTRUCTION

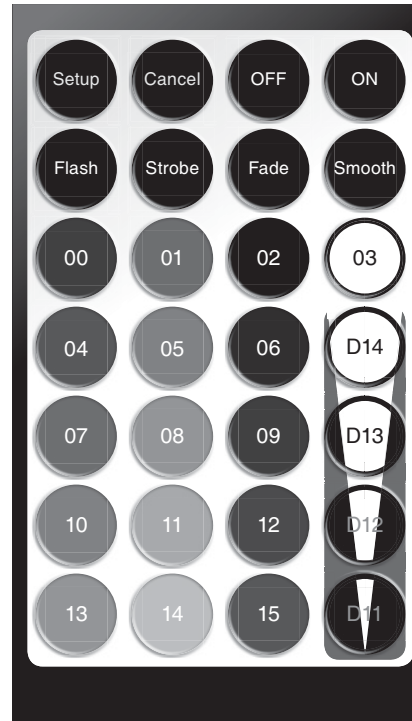
BUTTON NAME	FUNCTION DESCRIPTION
MODE	Select your desire mode
UP	<b>DMX</b> : select address ; run <b>AUTO MODE</b> . Adjust <b>MODE</b> speed ; <b>MACRO</b> : select color.
DOWN	<b>DMX</b> : select address ; To run <b>AUTO MODE</b> . Adjust <b>MODE</b> speed ; <b>MACRO</b> : select color.

# IRC161 Remote control instruction

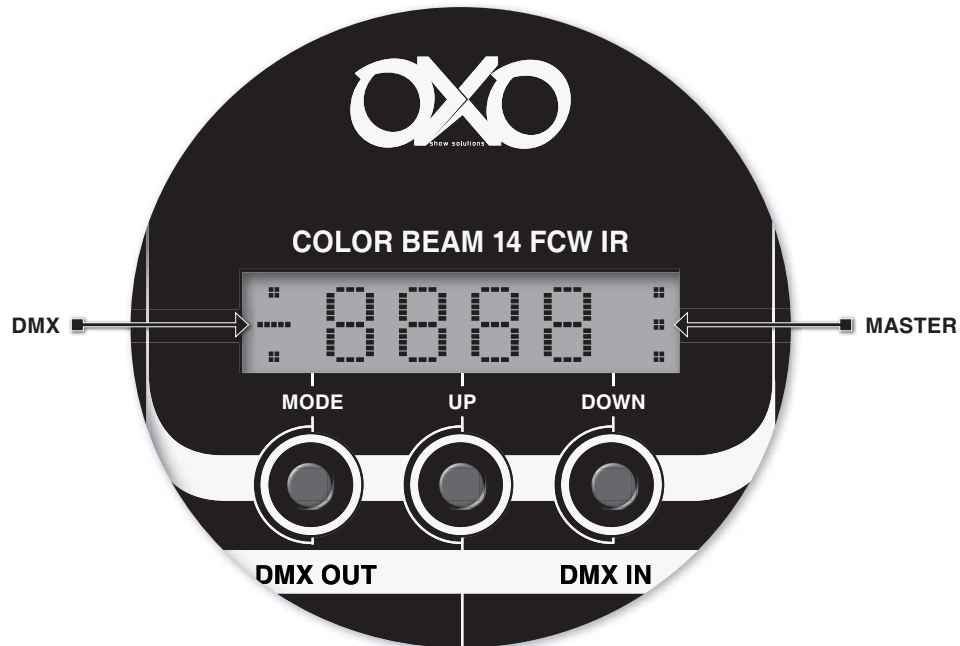


- 01) **Setup** : Input IR mode.
- 02) **Cancel** : Back to the last mode.
- 03) **OFF** : Fixture OFF.
- 04) **ON** : Fxin ON, and back to the last mode.
- 05) **Flash** : 7 color strobe + 8 steps adjust speed.
- 06) **Strobe** : Strobe + 8 steps adjust speed. (R/G/B/W 0:OFF,1-255 JOIN IN).
- 07) **Fade** : Fade + 8 steps adjust speed Color is decided by remote control (R/G/B/W 0:OFF,1-255 JOIN IN).
- 08) **Smooth** : Auto mix color + 8 steps adjust speed.
- 09) **D11~D14** : Mix with other macro mode white value (0%, 25%, 50%, 75%, 100%) or total value rate for (Flash, Strob, Fade, Smooth) (25%, 50%, 75%, 100%).
- 10) The rest keys show mix color mode .
- 11) **The remote control had to be used < 5 metres from a Colorbeam 14 IR. The maximum remote control ray's angle allowed is ± 30°.**
- 12) When remote control demision short / can not work, maybe you need to change battery.

# IRC161 Remote control instruction



NO.	KEY	DISPLAY & FUNCTION	
1	Setup	"IRSE"	
2	Cancel	EXIT IR	
3	OFF	"IRoF"	
4	ON	Back to last mode	
5	Flash	"IRFL"	
6	Strobe	"IRSt"	
7	Fade	"IRFA"	
8	Smooth	"IRSn"	
9	D11	Macro mode	Function mode
		WhiteDimmer 0%	Total dimmer 25%
10	D12	WhiteDimmer 25%	Total dimmer 50%
11	D13	White Dimmer 50%	Total dimmer 75%
12	D14	White Dimmer 75%	Total dimmer 100%
13	W	White Dimmer100%	"IR03"
14	R	"IR00"	
15	G	"IR01"	
16	B	"IR02"	
17	04	"IR04"	
18	05	"IR05"	
19	06	"IR06"	
20	07	"IR07"	
21	08	"IR08"	
22	09	"IR09"	
23	10	"IR10"	
24	11	"IR11"	
25	12	"IR12"	
26	13	"IR13"	
27	14	"IR14"	
28	15	"IR15"	



## 2. DISPLAY FUNCTION INSTRUCTIONS

NO.	MODE	DISPLAY	FUNCTION DESCRIPTION
1	DMX mode 1 (1CHS)	1XXX (XXX=001-512)	Macro Mode
2	DMX mode 2 (2CHS)	2XXX (XXX=001-512)	Macro mode (CH1) + adjust luminance (Ch2)
3	DMX mode 3 (3CHS)	3XXX (XXX=001-512)	R(CH 1), G(CH2), B(CH3), W(CH4)
4	DMX mode4 (7CHS)	4XXX (XXX=001-512)	DMX MODE
5	Manual Macro mode	ncXX (XX=00-35)	35color+black, Macro value
6	RManual mode (static)	rXXX (XX=00-255)	R adjust luminance, 000-255
7	GManual mode (static)	gXXX (XX=00-255)	G adjust luminance, 000-255
8	B Manual mode (static)	bXXX (XX=00-255)	B adjust luminance, 000-255
9	W Manual mode (static)	UXXX (XX=00-255)	W adjust luminance, 000-255
10	Manual strobe setting	St XX (XX=00-99)	Adjust strobe speed, 00-99 : No-strobe-strobe fastest
11	Manual fade mixcolor mode	Sh XX (XX=01-15)	Adjust fade mix-color speed : 00 slowest,15fastest
12	7 color strobe	FL XX (XX=01-15)	Adjust 7 color strobe speed : 00 slowest,15fastest
13	Audio mode	So	7 color sound control
14	Display screen	ds-1	Display screen permanent light
		ds-2	Display screen will turn off after 10 s. In this condition,pressing any keys is useless ; turning back after pressing keys 3 s.
15	Ramp Mode	dr-1	The output light is normal without delay
		dr-X(X=2-5)	The output light is with delay,dr-2 the shortest time with delay and dr-5 is the longest time with delay.