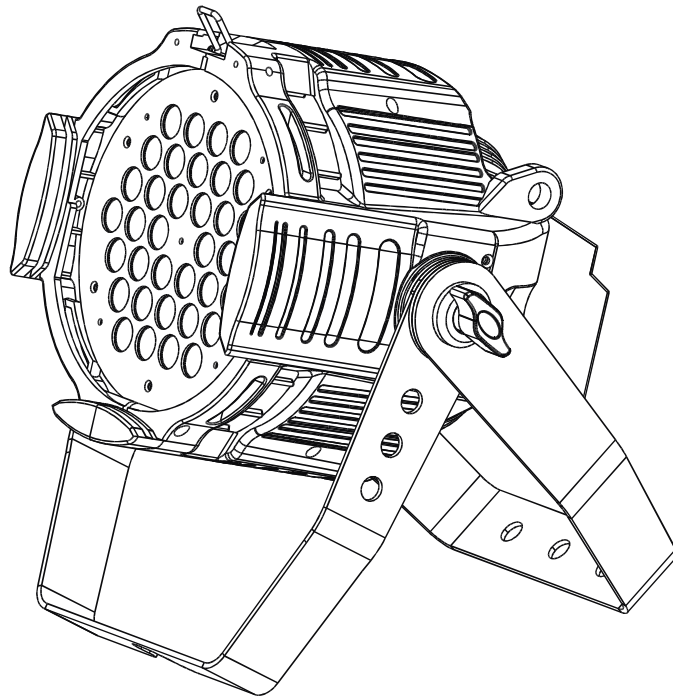




**PROFESSIONAL LED LIGHTING USER MANUAL**



**MultiBEAM LED-Variable  
White-Zoom**

KEEP THIS MANUAL FOR FUTURE NEEDS **CE**



Thank you for your patronage. We are confident that our excellent products and service can satisfy you.

For your own safety, please read this user manual carefully before installing the device.



### **CAUTION!**

Keep this device away from rain and moisture !



### **CAUTION!**

Unplug mains lead before opening the housing.

Every person involved with the installation, operation and maintenance of this device has to

- be qualified
- follow the instructions of this manual
- consider this manual to be part of the total product
- keep this manual for the entire service life of the product
- pass this manual on to every further owner or user of the product
- download the latest version of the user manual from the Internet

## **INTRODUCTION:**

Thank you for having chosen this professional LED lighting.  
You will see you have acquired a powerful and versatile device.

Unpack the device. Inside the box you should find:

1. The fixture device
2. One power cables
3. One XLR connection cable
4. One safety rope and this manual

Belows are the optional accessories, please purchase from your local dealer if needed

1. Barn-door
2. Frost filter

Please check carefully that there is no damage caused by transportation. Should there be any, consult your dealer and don't install this device.

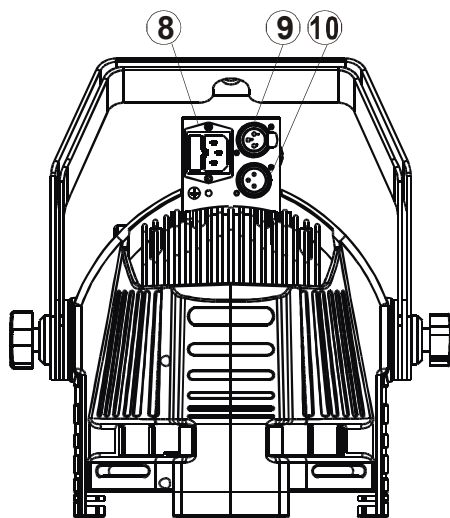
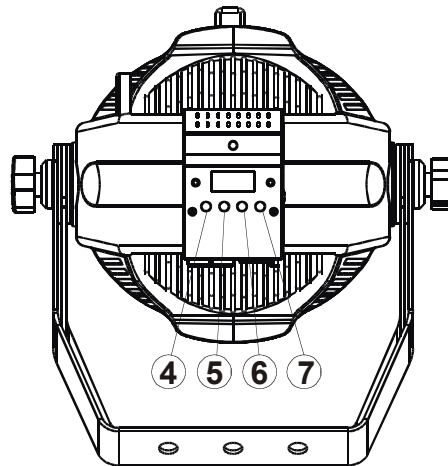
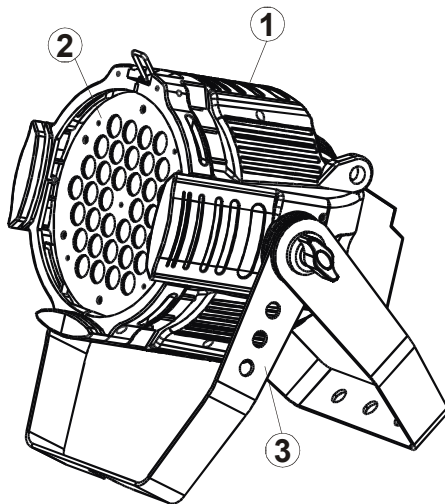
## ***DESCRIPTION OF THE DEVICE***

### **Features**

- DMX channel: 6 channels
- Equipped with 36 x3 W LEDS: 12 x Cool-White, 24 x Warm-White
- 100 000 hours LED life
- The LEDS can be controlled individually
- Automatic power supply adaption between 100V and 240 Volts without power selector
- Programmable color-change speed and strobe effect

- DMX-controlled operation or stand alone operation with Master/Slave-function
- Strobe-effect with 1-18 flashes per second
- Advantages of LED-technology: Extremely long life, low power consumption, minimal heat emission, defect maintenance free with brilliant light radiation
- DMX-control via every standard DMX-controller

## Overview



- (1) Housing
- (2) LEDs
- (3) Floor-stand
- (4) Menu-button
- (5) Up-button
- (6) Down-button
- (7) Enter-button
- (8) Power input
- (9) DMX output
- (10) DMX-input

## SAFETY INSTRUCTIONS



### CAUTION!

Be careful with your operations. With a dangerous voltage you can suffer a dangerous electric shock when touching wires!

This device has left the factory in perfect condition. In order to maintain this condition and to ensure a safe operation, it is absolutely necessary for the user to follow the safety instructions and warning notes written in this user manual.



### Important:

*Damages caused by the disregard of this user manual are not subject to warranty. The dealer will not accept liability for any resulting defects or problems.*

If the device has been exposed to temperature changes due to environmental changes, do not switch it on immediately. The arising condensation could damage the device. Leave the device switched off until it has reached room temperature.

This device falls under protection-class I. Therefore it is essential that the device be earthed. The electric connection must carry out by qualified person.

The device shall only be used with rate voltage and frequency.  
Make sure that the available voltage is not higher than stated at the end of this manual.

Make sure the power cord is never crimped or damaged by sharp edges. If this would be the case, replacement of the cable must be done by an authorized dealer.



Always disconnect from the mains, when the device is not in use or before cleaning it. Only handle the power cord by the plug. Never pull out the plug by tugging the power cord.

During initial start-up some smoke or smell may arise. This is a normal process and does not necessarily mean that the device is defective, it should decrease gradually.

Please don't project the beam onto combustible substances.

Fixtures cannot be installed on combustible substances, keep more than 30cm distance with wall for smooth air flow, so there should be no shelter for fans and ventilation for heat radiation.

If the external flexible cable or cord of this luminaire is damaged, it shall be exclusively replaced by the manufacturer or his service agent or a similar qualified person in order to avoid a hazard.

	<b>CAUTION!</b> Never touch the device during operation! The housing may heat up
	<b>CAUTION!</b> Never look directly into the light source, as sensitive persons may suffer an epileptic shock.

Please be aware that damages caused by manual modifications to the device are not subject to warranty. Keep away from children and non-professionals.

## GENERAL GUIDELINES

This device is a lighting effect for professional use on stages, in discotheques, theatres, etc. This fixture is only allowed to be operated with the max alternating current which stated in the technical specifications in the last page of this manual, the device was designed for indoor use only.

Lighting effects are not designed for permanent operation. Consistent operation breaks may ensure that the device will serve you for a long time without defects. Do not shake the device. Avoid brute force when installing or operating the device.

The device shall only be used complete with its protective shield.

While choosing the installation-spot, please make sure that the device is not exposed to extreme heat, moisture or dust. The minimum distance between light-output from the projector and the illuminated surface must be more than 0.1 meter.

Operate the device only after having familiarized with its functions. Do not permit operation by persons not qualified for operating the device. Most damages are the result of unprofessional operation.

Please use the original packaging if the device is to be transported.

For safety reasons, please be aware that all modifications on the device are forbidden.

If this device will be operated in any way different to the one described in this manual, the product may suffer damages and the guarantee becomes void. Furthermore, any other operation may lead to short-circuit, burns, electric shock, lamp explosion, crash, etc.

## INSTALLATION INSTRUCTIONS

### *Mounting the device*



#### **CAUTION!**

Please consider the GB7000.15/EN60598-2-17 and the other respective national norms during the installation. The installation must only be carried out by a qualified person.

The applicable temperature for the lighting is between  $-25^{\circ}\text{C}$  to  $45^{\circ}\text{C}$ . Do not use the lighting under or above the temperature.

The installation of the effect has to be built and constructed in a way that it can hold 10 times the weight for 1 hour without any harming deformation.

The installation must always be secured with a secondary safety attachment, e.g. an appropriate safety rope.

Never stand directly below the device when mounting, removing or servicing the fixture.

The operator has to make sure the safety relating and machine technical installations are approved by an expert before taking the device into operation for the first time.

These installations have to be approved by a skilled person once a year.



#### **CAUTION!**

Before taking into operation for the first time, the installation has to be approved by an expert.

**Cautions:**

The effect should be installed outside areas where persons may reach it, walk by or be seated.



**CAUTION!**

When installing the device, make sure there is no highly inflammable material within a distance of min. 0,3m.

Overhead mounting requires extensive experience, including amongst others calculating working load limits, installation material being used, and periodic safety inspection of all installation material and the device. If you lack these qualifications, do not attempt the installation yourself. Improper installation can result in bodily injury.



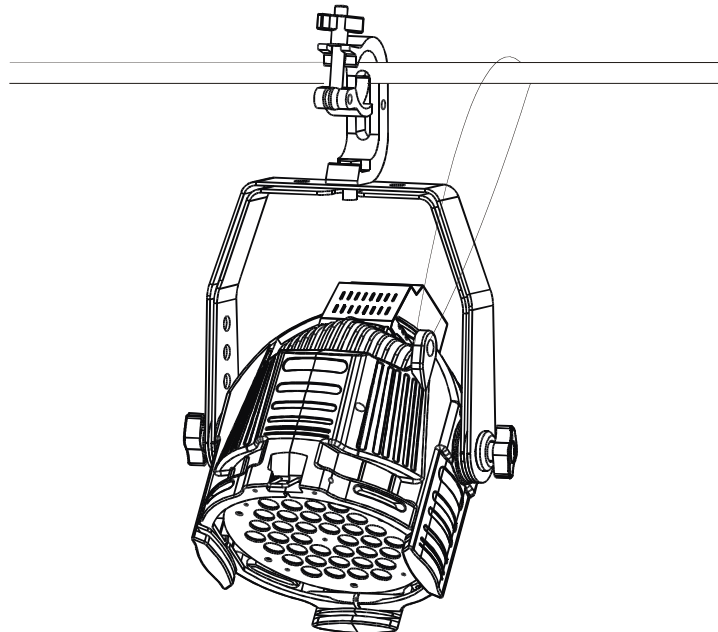
**CAUTION!**

The electric connection must only be carried out by a qualified electrician.

Before mounting make sure that the installation area can hold a minimum point load of 10 times the device's weight.

Connect the fixture to the mains with the power plug.

***Overhead rigging***

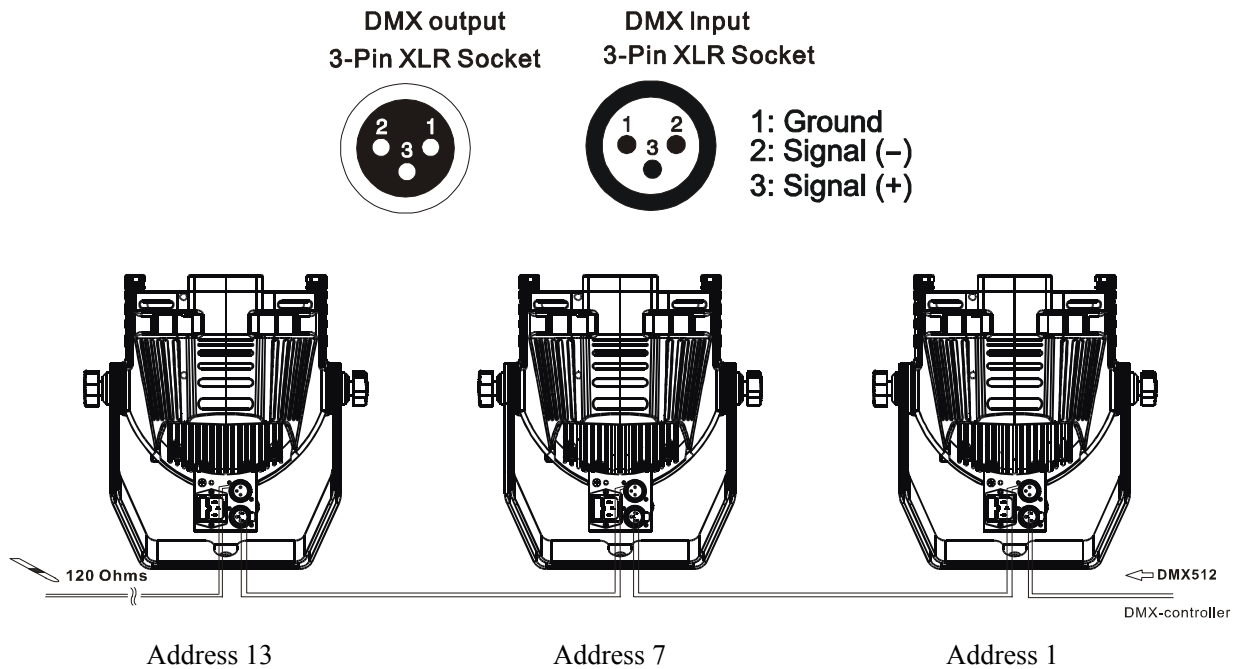


Screw the bolt of the clamp into the hold of the bracket, and tighten the screw underneath.

Pull the safety-rope through the holes on the bracket of the base and over the trussing system or a safe fixation spot. Insert the end in the carabine and tighten the safety screw.

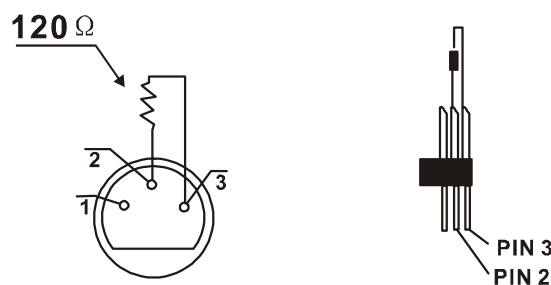
## DMX-512 control connection

Connect the provided XLR cable to the female 3-pin XLR output of your controller and the other side to the male 3-pin XLR input of the LED lighting. You can chain multiple LED lighting together through serial linking. The cable needed should be two core, screened cable with XLR input and output connectors. Please refer to the diagram below.



## DMX-512 connection with DMX terminator

For installations where the DMX cable has to run a long distance or is in an electrically noisy environment, such as in a discotheque, it is recommended to use a DMX terminator. This helps in preventing corruption of the digital control signal by electrical noise. The DMX terminator is simply an XLR plug with a 120  $\Omega$  resistor connected between pins 2 and 3, which is then plugged into the output XLR socket of the last fixture in the chain. Please see illustrations below.



## Projector DMX starting address selection

All fixtures should be given a DMX starting address when using a DMX signal, so that the correct fixture responds to the correct control signals. This digital starting address is the channel number from which the fixture starts to “listen” to the digital control information sent out from the DMX controller. The allocation of this starting address is achieved by setting the correct number on the display located on the base of the device.



You can set the same starting address for all fixtures or a group of fixtures, or make different address for each fixture individually.

If you set the same address, all the units will start to “listen” to the same control signal from the same channel number. In other words, changing the settings of one channel will affect all the fixtures simultaneously.

If you set a different address, each unit will start to “listen” to the channel number you have set, based on the quantity of control channels of the unit. That means changing the settings of one channel will affect only the selected fixture.

In the case of the moving head, which is 6 channels fixture when you select the standard channel mode, you should set the starting address of the first unit to 1, the second unit to 7 (6+ 1), the third unit to 13(6+ 7), and so on.

## **Control Board**

The Control Board offers several features: you can simply set the starting address, switch on and off the lamp, run the pre-programmed program or make a reset.

The main menu is accessed by pressing the **Menu**-button until the display starts flashing. Browse through the menu by pressing the **Up**-button or **Down**-button. Press the Enter-button in order to select the desired menu. You can change the selection by pressing the **Up**-button or **Down**-button. Confirm every selection by pressing the Enter-button. You can leave every mode by pressing the **Menu**-button. The functions provided are described in the following sections.

**Locked keys as default setting when starting up, press Meun key for 3 seconds to unlock. The display will be locked automatically without any operations in 15 seconds.**

0	MODE	ADDR	VALU	A001~XXX (AXXX)	DMX address setting
			SLAV	ON/OFF (SLAV)	Slave setting
			RDMX	ON/OFF	Change DMX address via external controller
		RUN	AUTO	ALON (AU-A)	Automatic Run in Stand Alone
				MAST (AU-M)	Automatic Run as Master
		DISP	VALU	D-XX D-00 (DXXX)	Display the DMX 512 value of each channel
			FLIP	ON/OFF	Reverse display
D ON	ON/OFF		Shut off LED display		
LOCK	ON/OFF		Key lock		
1	SET	FAIL	OFF/HOLD/AUTO	No DMX Status	
		REST		Reset	
		DFSE	ON/OFF	Restore factory settings	
		VER	V-1.0~V-9.9	Software version	
2	MANL	<COOL WARM TEMP STRB DIMM ZOOM>	C XXX (000~255) W XXX (000~255) T XXX (000~255) S XXX (000~255) D XXX (000~255) Z XXX (000~255)	Manual adjust intensity	
3	TIME	LIFE	0000~9999(hours)	Fixture running time	
		CLFE	ON/OFF	Clear fixture time *code is "838"	
4	EDIT	STEP	S-01 ~S-48	Steps of Program Run	
		REC.	RE.XX	Auto Save Scene	
		SC01 ~ SC48	COOL WARM TEMP STRB DIMM ZOOM	C XXX (000~255) W XXX (000~255) T XXX (000~255) S XXX (000~255) D XXX (000~255) Z XXX (000~255)	Edit the internal scenes
			TIME	T XXX(001~999)	Time for each scene
			CEDT	ON/OFF	Edit program via controller

Default settings shaded.

## Main functions:

MODE - SET - NAME - LINE - Edit

MODE - Main menu 0

1. Press [MODE/ESC] to enter the main menu "MODE" (display flashing)
2. Press [ENTER] and select "ADDR", "RUN" or "DISP" by pressing [UP] or [DOWN] button.
3. Press [ENTER] for selecting the desired sub menu.

MODE - Addr  
RUN  
DISP

Addr - DMX address setting, Slave setting

MODE - Addr - VALU - 0001 - A11111  
SLAV - ON/OFF  
rdn11 - ON/OFF

VALU - DMX address setting

With this function, you can adjust the desired DMX-address via the Control Board.

1. Select "VALU" by pressing [UP] or [DOWN] button.
2. Press [ENTER], adjust the DMX address by pressing [UP] or [DOWN] button.
3. Press [ENTER] to confirm or pressing [MODE/ESC] to return to main menu.

SLAV - Slave setting

With this function, you can define the device as slave.

1. Select "SLAV" by pressing [UP] or [DOWN] button.
2. Press [ENTER], the display shows "ON" or "OFF".
3. Press [UP] to select "ON" if you wish to enable this function or press [DOWN] to select "OFF" if you don't.
4. Press [ENTER] to confirm or press [MODE/ESC] to return to main menu.



## **FLIP** - Reverse display

With this function you can rotate the display by 180° .

1. Select "FLIP" by pressing [UP] or [DOWN] button.
2. Press [ENTER], the display shows "ON" or "OFF".
3. Press [UP] to select "ON" if you wish to enable this function or press [DOWN] button to "OFF" if you don't; the display will rotate by 180° .
4. Press [ENTER] to confirm or Press [MODE/ESC] to return to the main menu.

## **d ON** - Shut off LED display

With this function you can shut off the LED display after 2 minutes.

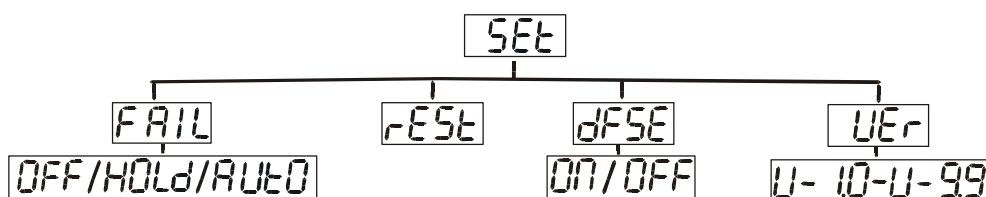
1. Select "D ON" by pressing [UP] or [DOWN] button.
2. Press [ENTER], the display shows "ON" or "OFF".
3. Press [UP] to select "ON" if you wish to enable this function or press [DOWN] button to "OFF" if you don't.
4. Press [ENTER] to confirm or Press [MODE/ESC] to return to the main menu.

## **LOCK** - locked keys the display

With this function you can locked keys the display.

1. Select "LOCK" by pressing [UP] or [DOWN] button.
2. Press [ENTER], the display shows "ON" or "OFF".
3. Press [UP] to select "ON" if you wish to enable this function or press [DOWN] button to "OFF" if you don't.
4. Press [ENTER] to confirm or Press [MODE/ESC] to return to the main menu.

## **SEt** - Main menu 1



1. Press [MODE/ESC] to enter the main menu (display flashing).
2. Press [UP] or [DOWN] button. to select "SET".

## **FAIL** -Automatic Run by no DMX

With this function you can automatic run the device by no DMX.

1. Select "FAIL" by pressing [UP] or [DOWN] button.
2. Press [ENTER], the display shows "OFF", "HOLD" or "AUTO".
3. Press [UP] or [DOWN] button to select "OFF", "HOLD" or "AUTO", the default is "HOLD".
4. Press [ENTER] to confirm or Press [MODE/ESC] to return to the main menu.

## - Reset

With this function you can reset the device via the Control Board.

1. Select “**REST**” by pressing [UP] or [DOWN] button.
1. Press [ENTER] to reset or Press [MODE/ESC] to return to the main menu.

## - Restore factory settings

With this function you can restore the factory settings of the device. All settings will be set back to the default values (shaded). Any edited scenes will be lost.

1. Select “**DFSE**” by pressing [UP] or [DOWN] button.
2. Press [ENTER], the display shows “**ON**” or “**OFF**”.
3. Press [UP] to select “**ON**” if you wish to enable this function or press [DOWN] button to “**OFF**” if you don’t.
4. Press [ENTER] to confirm or Press [MODE/ESC] to return to the main menu.

## - Software version

With this function you can display the software version of the device.

1. Select “**VER**” by pressing [UP] or [DOWN] button.
2. Press [ENTER], The display will show “**V-XX**”, “XX” stands for the version number, such as the display may also show, “**V-1.0**”, “**V-9.9**” etc.
3. Press [ENTER] to confirm or Press [MODE/ESC] to return to the main menu.

## - Main menu 2

With this function you can Manual adjust intensity

1. Select “**MANL**” by pressing [UP] or [DOWN] button.
2. Press [ENTER], the display shows “**COOL**”, “**WARM**”, “**TEMP**”, “**STRB**”, “**DIMM**”, “**ZOOM**” .
3. Press [UP] or [DOWN] button to select “**COOL**”, “**WARM**”, “**TEMP**”, “**STRB**”, “**DIMM**”, “**ZOOM**” .
4. Press [ENTER] to confirm or Press [MODE/ESC] to return to the main menu.

## - Main menu 3


1. Press [MODE/ESC] to enter the main menu (display flashing).
2. Press [UP] or [DOWN] button to select “**TIME**”.

## - Fixture running time

With this function you can display the running time of the device.

1. Select “**LIFE**” by pressing [UP] or [DOWN] button.

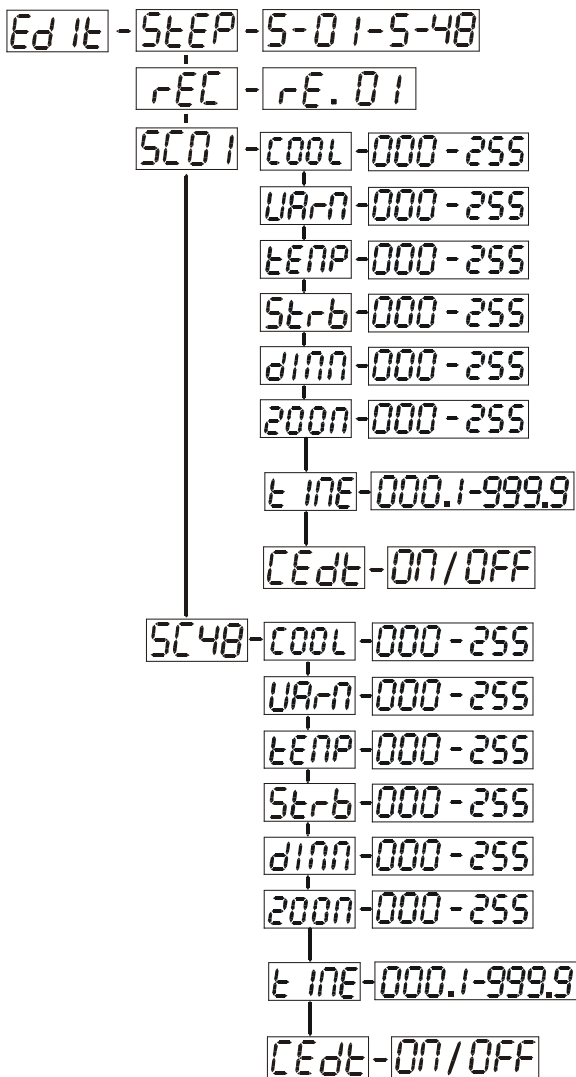
2. Press [ENTER], the display shows “XXXX”, “X” stands for the number of hours.
3. Press [ENTER] to confirm or Press [MODE/ESC] to return to the main menu.

### CLFE - Clear fixture time

With this function you can clear the running time of the device.

1. Select “CLFE” by pressing [UP] or [DOWN] button.
2. Press [ENTER], the display shows “ON” or “OFF”, The code is “838”.
3. Press [UP] to select “ON” if you wish to enable this function or press [DOWN] button to “OFF” if you don’t.
4. Press [ENTER] to confirm or Press [MODE/ESC] to return to the main menu.

### Ed It - Main menu 4



to return to the main menu.

1. Press [MODE/ESC] to enter the main menu (display flashing).
2. Press [UP] or [DOWN] button to select “EDIT”.

### STEP - Define the number of steps in Run

With this function you can define the number of steps in the Program Run.

1. Select “STEP” by pressing [UP] or [DOWN] button.
2. Press [ENTER], the display shows “S-XX”, “X” stands for the total amount of steps you want to save, so you can call up to 48 scenes in “RUN”. For example if the “XX” is 05, it means that “RUN” will run the first 5 scenes you saved in “EDIT”.
3. Press [ENTER] to confirm or Press [MODE/ESC] to return to the main menu.

### rEC - Auto Save

With this function you can automatic save the number of steps in the Program Run.

1. Select “REC” by pressing [UP] or [DOWN] button.
2. Press [ENTER], the display shows “RE.XX”, “XX” stands for the number from 1 to 400.
3. Press [ENTER] to confirm or Press [MODE/ESC]

## **SC01** - Editing the channels of the individual scenes

With this function you can edit the program to be called up in Run.

### **a) Editing via the Control Board**

1. Select "SC01" by pressing [UP] or [DOWN] button.
2. Press [ENTER], the display shows "SCXX", "X" stands for the scene no. to be edited.
3. Select the channel no. you would like to edit by pressing [UP] or [DOWN] button.
4. Adjust the desired DMX value by pressing [UP] or [DOWN] button.
5. Press [ENTER] in order to edit other channels of this scene.
6. Repeat steps 3-5 until you finish setting all the DMX values for all channels of this scene.
7. Once all the channels completed, the display will flash "TIME"
8. Press [ENTER] to edit the time needed, the display shows "TXXX", "XXX" stands for the time needed to run the current scene, value "001-999". E.g., "002" means you need 0.4ms (002\*0.2ms) to run the current scene. Adjust the desired time by pressing [UP] or [DOWN] button.
9. Press [ENTER] to save the settings for the scene you are editing, the display will change to the next scene automatically.
10. Repeat step 3-8 to edit and other scenes, you can edit and save a maximum of 48 scenes.
11. Press [MODE/ESC] to exit. The number of steps can be defined under "STEP" and the scenes can be called up under "RUN".

### **b) Editing via the external controller**

**Call up the first scene in your controller now.**

1. Select "SC01" by pressing [UP] or [DOWN] button.
2. Press [ENTER], the display shows "SC01".
3. Press [ENTER], the display shows "COOL".
4. Select "CEDT" by pressing [UP] or [DOWN] button.
5. Press [ENTER], the display shows "OFF".
6. Press [UP] or [DOWN] button .the display shows "ON".
7. Press [ENTER], the display shows "SC02". You successfully downloaded the first scene.
8. Adjust the Step-time as described above under point 12.
9. Call up the second scene in your controller now.
10. Repeat steps 5-11 until all desired scenes are downloaded.
11. Press [MODE/ESC] to exit. The number of steps can be defined under "STEP" and the scenes can be called up under "RUN".



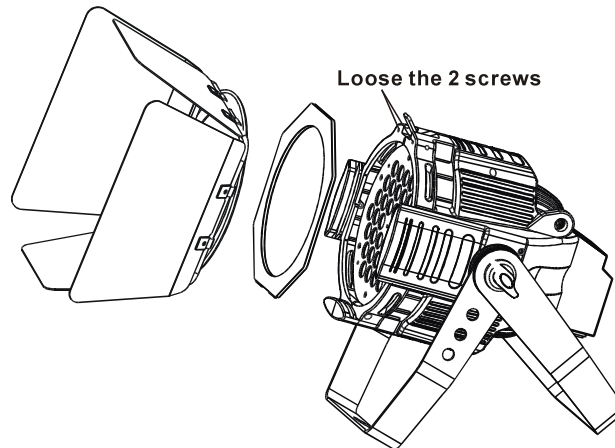
## INSTRUCTIONS ON USE:

DMX channel's functions and their values (6 DMX channels):		
Channel	Value	Function
St		
1		<b><u>Cool White</u></b>
	0-255	CoolWhite ( 0-Black , 255-100% Cool White )
2		<b><u>Warm White</u></b>
	0-255	WarmWhite ( 0-Black , 255-100% Warm White )
3		<b><u>Color temperature:</u></b>
	0-10	No Function
	11-50	No Function
	51-90	Color_temperature(3200K)
	91-130	Color_temperature(4300K)
	131-170	Color_temperature(5600K)
	171-210	Color_temperature(6500K)
	211-250	Color_temperature(7200K)
	251-255	No Function
4		<b><u>Shutter, strobe:</u></b>
	0-31	Led trun off
	32-63	Led turn on
	64-95	Strobe effect slow to fast
	96-127	Led turn on
	128-159	Pulse-effect in sequences
	160-191	Led turn on
	192-223	Random strobe effect slow to fast
224-255	Led turn on	
5		<b><u>General Dimming</u></b>
	0-255	Dimming( 0-Black , 255- 100% )
6		<b><u>Zoom</u></b>
	0-255	Continuous adjustment from far to near

### Instructions for installing the barn-door and frost filter:

For this device, the bar door and the frost filter can be installed separately or together.

1. When only install the frost filter, use the rotating clips on the lens cover to fix it.
2. When only install the bar door, loose the 2 M4 screws on the lens cover, put on the bar door and tighten the screws.
3. When install the bar door and frost filter together, loose the 2 M4 screws, put on the frost filter and the bar door one by one, then tighten the screws.



### CLEANING AND MAINTENANCE

We recommend a frequent cleaning of the device. Please use a soft lint-free and moistened cloth. Never use alcohol or solvents!



#### CAUTION!

Disconnect from mains before starting maintenance operation.

There are no servicable parts inside the device. Maintenance and service operations are only to be carried out by authorized dealers.

Should you need any spare parts, please use genuine parts.

If the power supply cable of this device becomes damaged, it has to be replaced by authorized dealers only in order to avoid hazards.

Should you have further questions, please contact your dealer.

### INSTALLATION

This device is only constructed for a standing installation. The device must only be installed absolutely planar at a vibration-free, oscilation-free and fire-resistant location. Make sure that the device is installed absolutely planar by using a water-level.

## **TECHNICAL SPECIFICATIONS**

**Power supply:** AC 100V-240V~, 50 / 60Hz

**Power consumption:** max. 120 W

**Packing dimensions:** 40 x 30 x 48 CM

**Flight case dimensions:** 79x76.5x60 cm

**Net weight:** 7 KGS

**Gross weight:** 10KGS (carton packing) 75.5 KGS(flight case packing/6pcs)

**Remark:** errors and omissions for every information given in this manual except. All information is subject to change without prior notice.